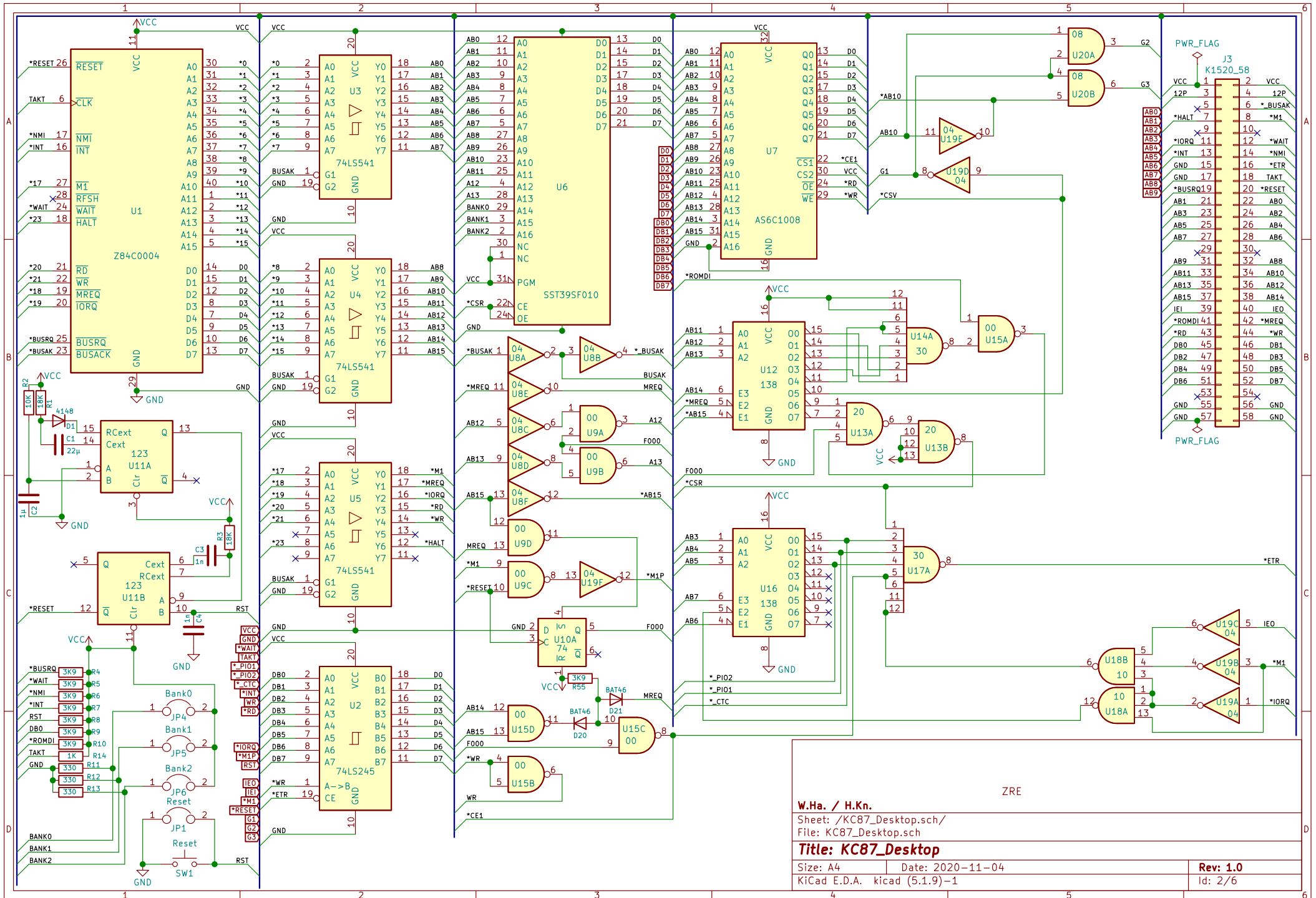
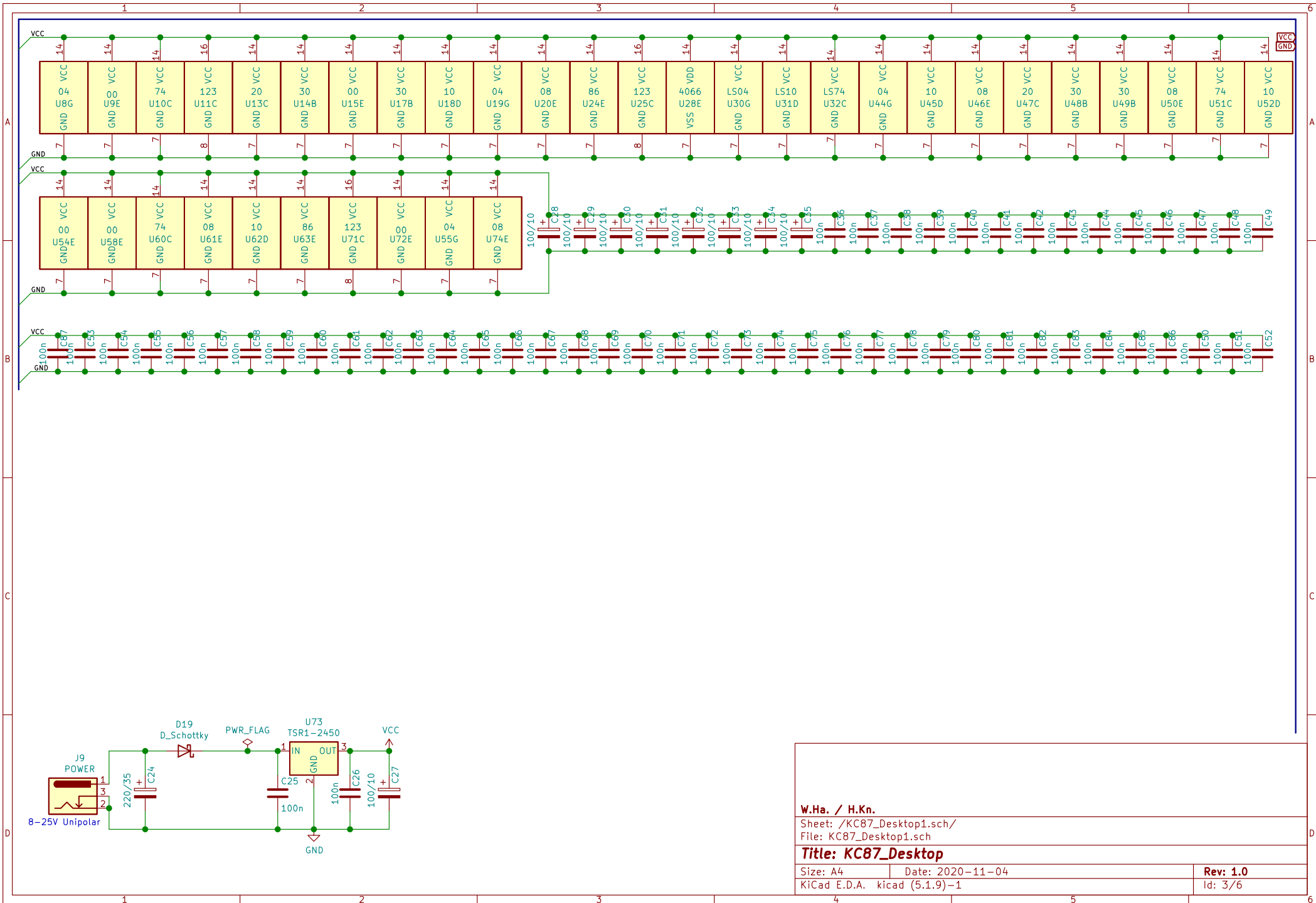
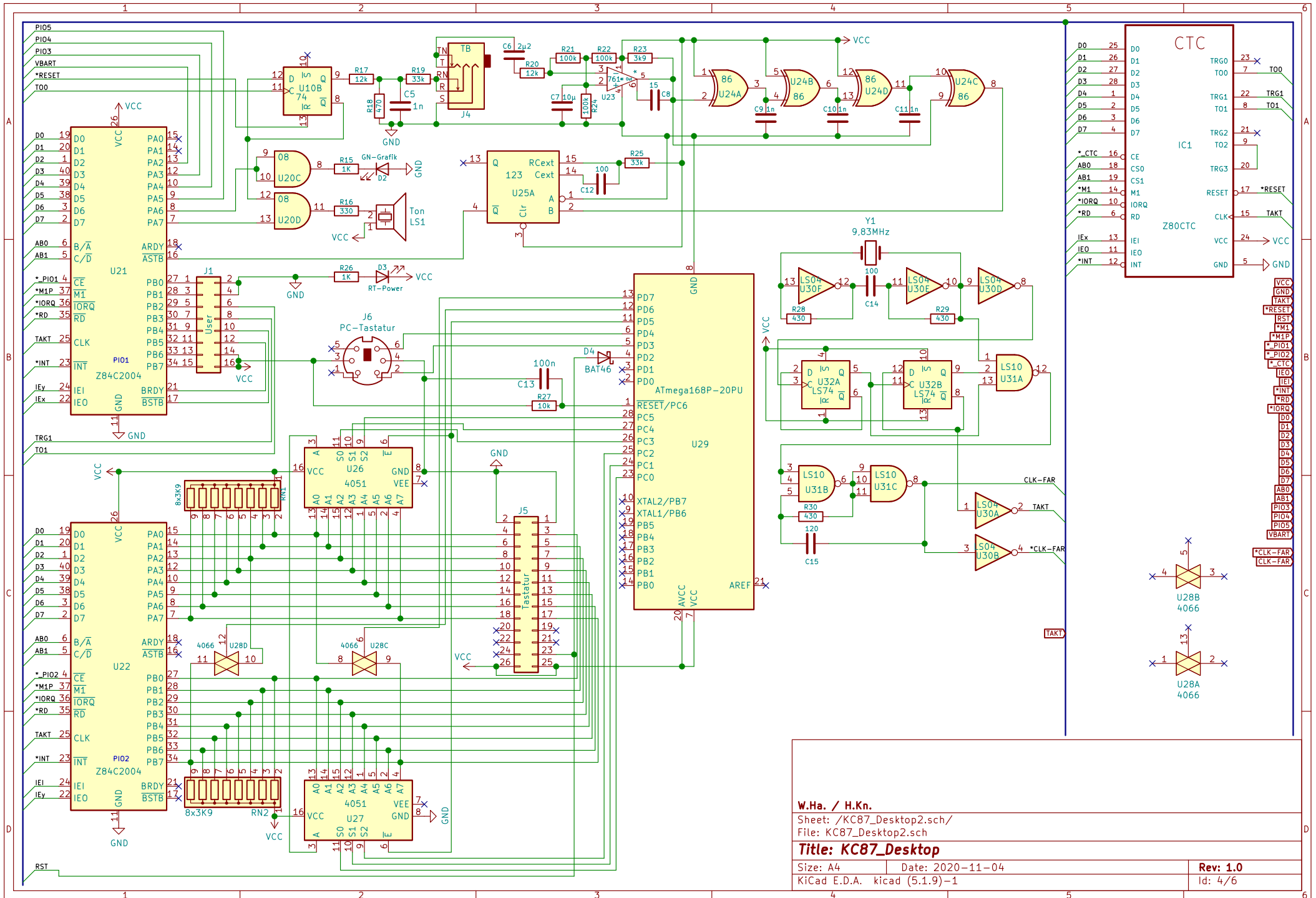


	1	2	3	4	5	6																
A	Sheet: KC87_Desktop.sch		Sheet: KC87_Desktop1.sch		Sheet: KC87_Desktop4.sch																	
B	File: KC87_Desktop.sch		File: KC87_Desktop1.sch		File: KC87_Desktop4.sch																	
C	Sheet: KC87_Desktop2.sch		Sheet: KC87_Desktop3.sch																			
D	File: KC87_Desktop2.sch		File: KC87_Desktop3.sch		<table border="1"> <tr> <td colspan="2">W.Ha. / H.Kn.</td> </tr> <tr> <td colspan="2">Sheet: /</td> </tr> <tr> <td colspan="2">File: KC87.21-2020-Desktop.sch</td> </tr> <tr> <td colspan="2">Title: KC87_Desktop</td> </tr> <tr> <td>Size: A4</td> <td>Date: 2020-11-04</td> </tr> <tr> <td colspan="2">KiCad E.D.A. kicad (5.1.9)-1</td> </tr> <tr> <td colspan="2">Rev: 1.0</td> </tr> <tr> <td colspan="2">Id: 1/6</td> </tr> </table>		W.Ha. / H.Kn.		Sheet: /		File: KC87.21-2020-Desktop.sch		Title: KC87_Desktop		Size: A4	Date: 2020-11-04	KiCad E.D.A. kicad (5.1.9)-1		Rev: 1.0		Id: 1/6	
W.Ha. / H.Kn.																						
Sheet: /																						
File: KC87.21-2020-Desktop.sch																						
Title: KC87_Desktop																						
Size: A4	Date: 2020-11-04																					
KiCad E.D.A. kicad (5.1.9)-1																						
Rev: 1.0																						
Id: 1/6																						
	1	2	3	4	5	6																

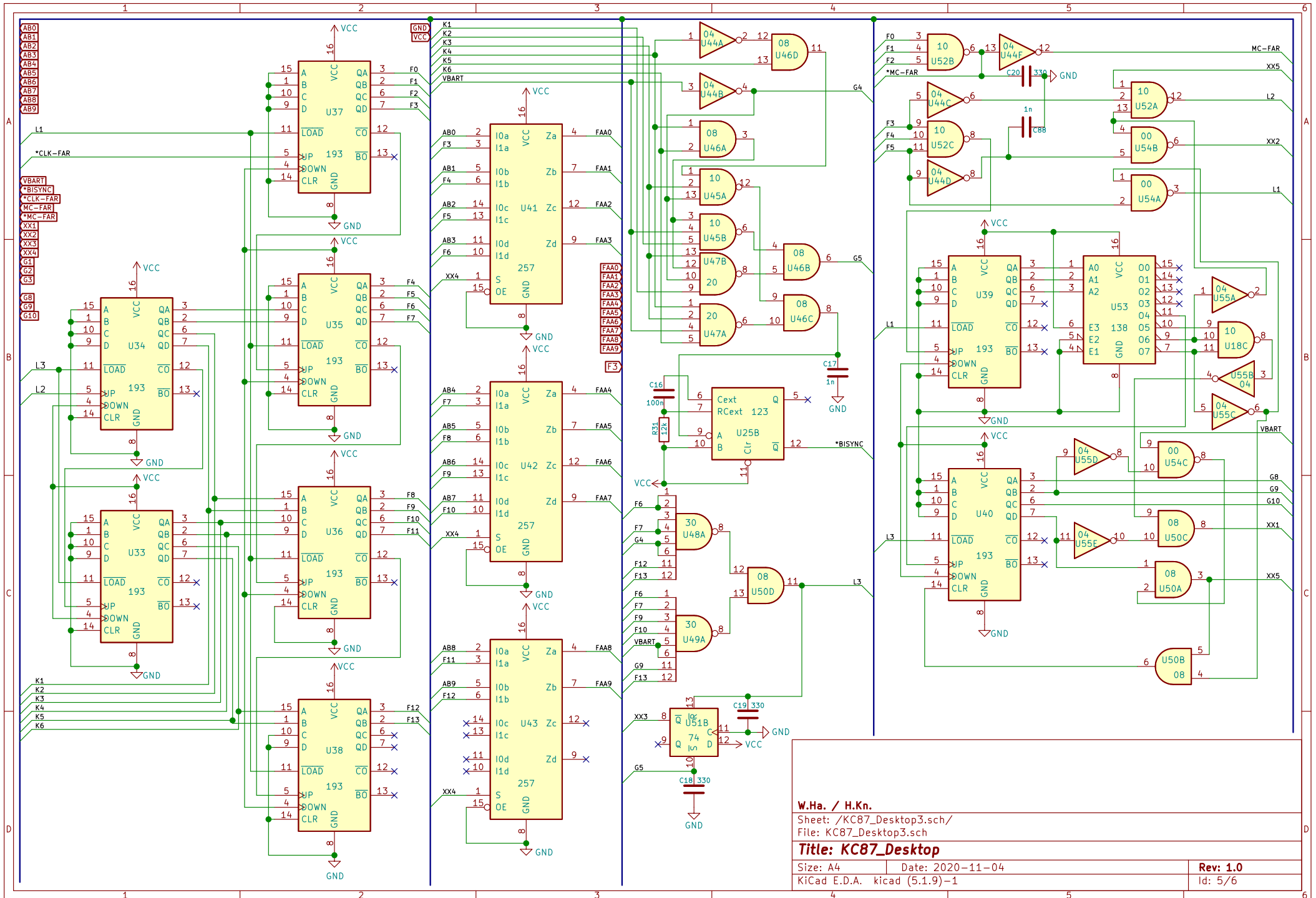


W.Ha. / H.Kn.	
Sheet: /KC87_Desktop.sch/ File: KC87_Desktop.sch	
Title: KC87_Desktop	
Size: A4	Date: 2020-11-04
KiCad E.D.A. kicad (5.1.9)-1	Rev: 1.0 Id: 2/6

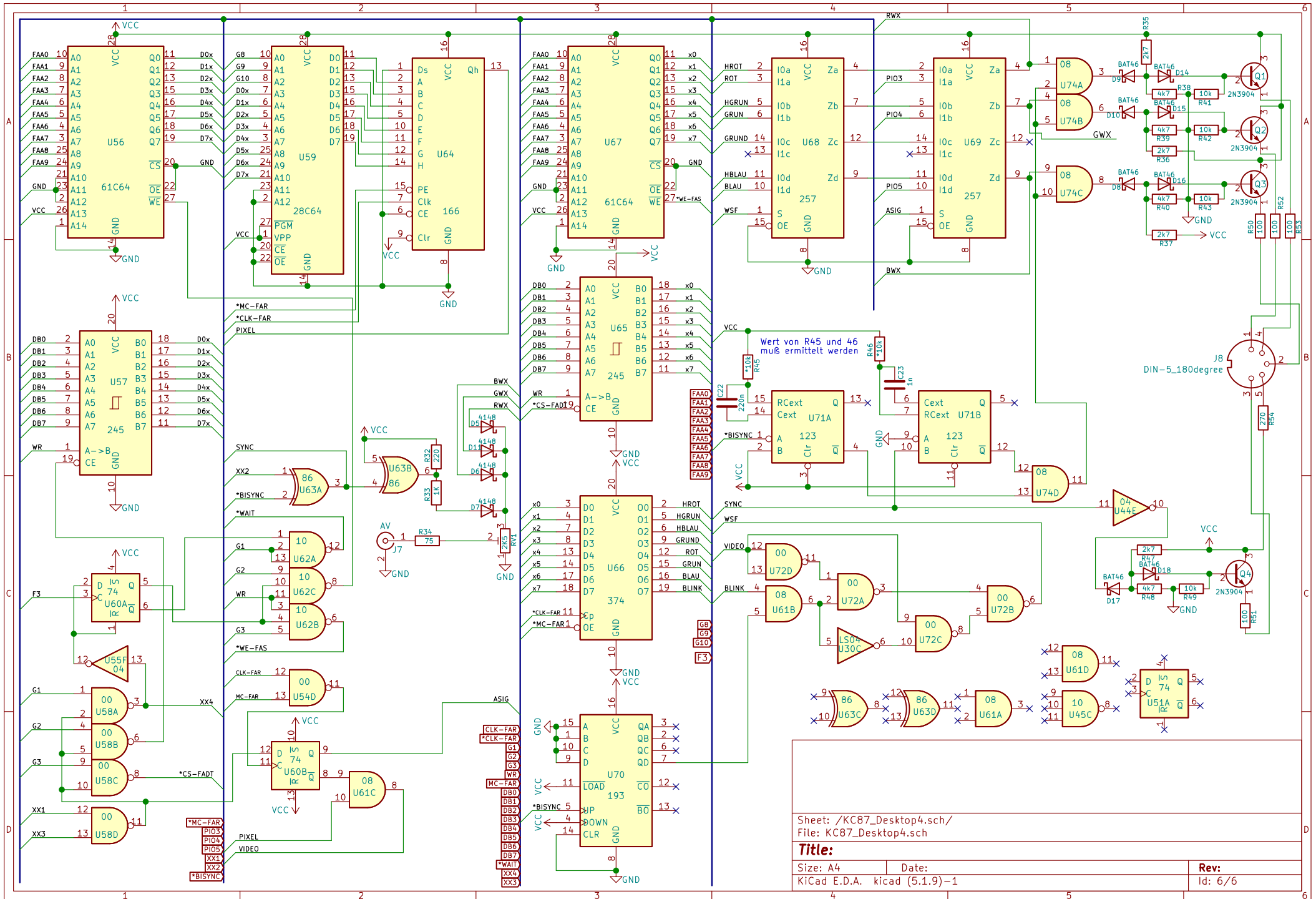




W.Ha. / H.Kn.	
Sheet: /KC87_Desktop2.sch/ File: KC87_Desktop2.sch	
Title: KC87_Desktop	
Size: A4	Date: 2020-11-04
KiCad E.D.A. kicad (5.1.9)-1	Rev: 1.0 Id: 4/6



W.Ha. / H.Kn.
 Sheet: /KC87_Desktop3.sch/
 File: KC87_Desktop3.sch
Title: KC87_Desktop
 Size: A4 | Date: 2020-11-04 | Rev: 1.0
 KiCad E.D.A. kicad (5.1.9)-1 | Id: 5/6



Sheet: /KC87_Desktop4.sch/
 File: KC87_Desktop4.sch

Title:

Size: A4	Date:
KiCad E.D.A. kicad (5.1.9)-1	Rev:
	Id: 6/6