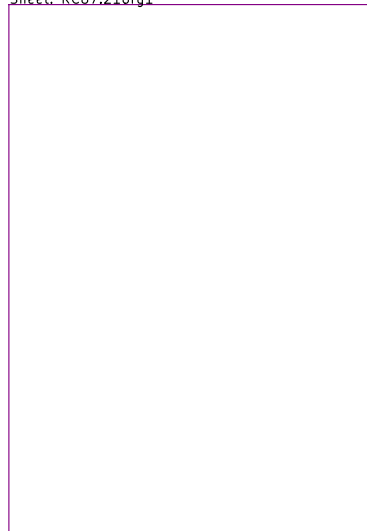


Sheet: KC87.21org1



File: KC87.21org1.sch

Sheet: KC87.21org2



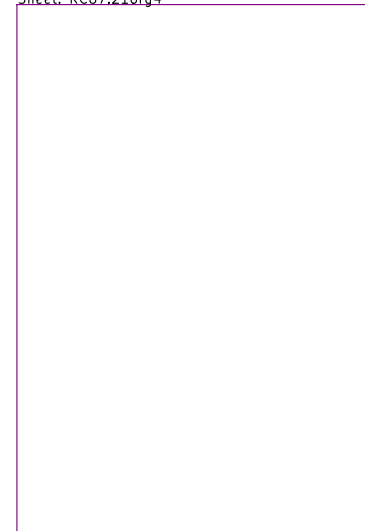
File: KC87.21org2.sch

Sheet: KC87.21org3



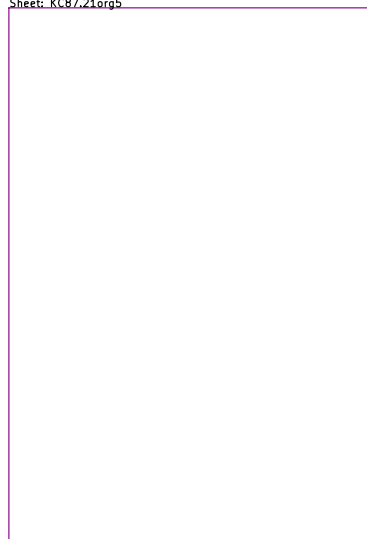
File: KC87.21org3.sch

Sheet: KC87.21org4



File: KC87.21org4.sch

Sheet: KC87.21org5



File: KC8721org5.sch

W.Ha. / H.Kn.

Sheet: /
File: KC87.21_org.sch

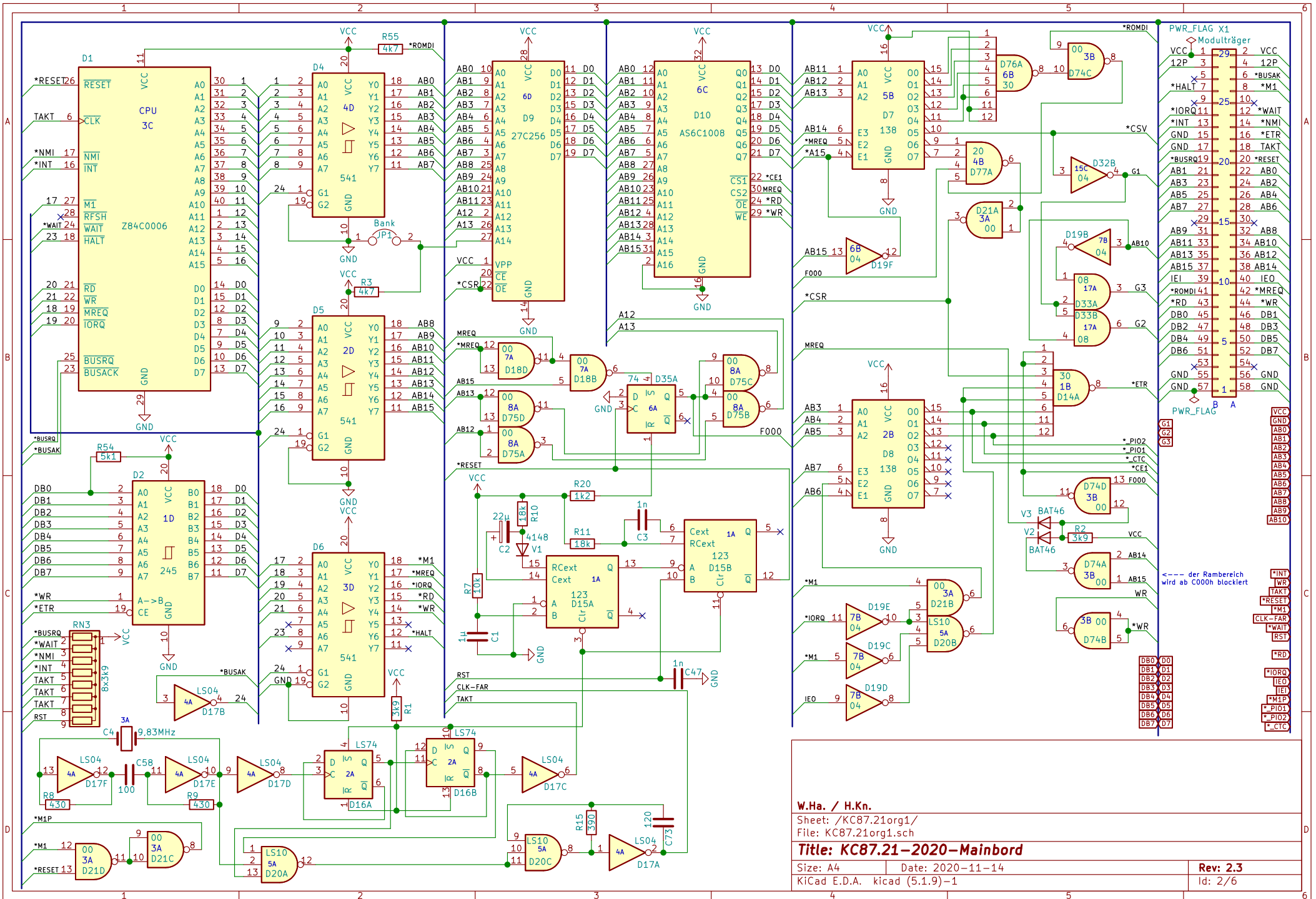
Title: KC87.21-2020-Mainbord

Size: A4 Date: 2020-11-14

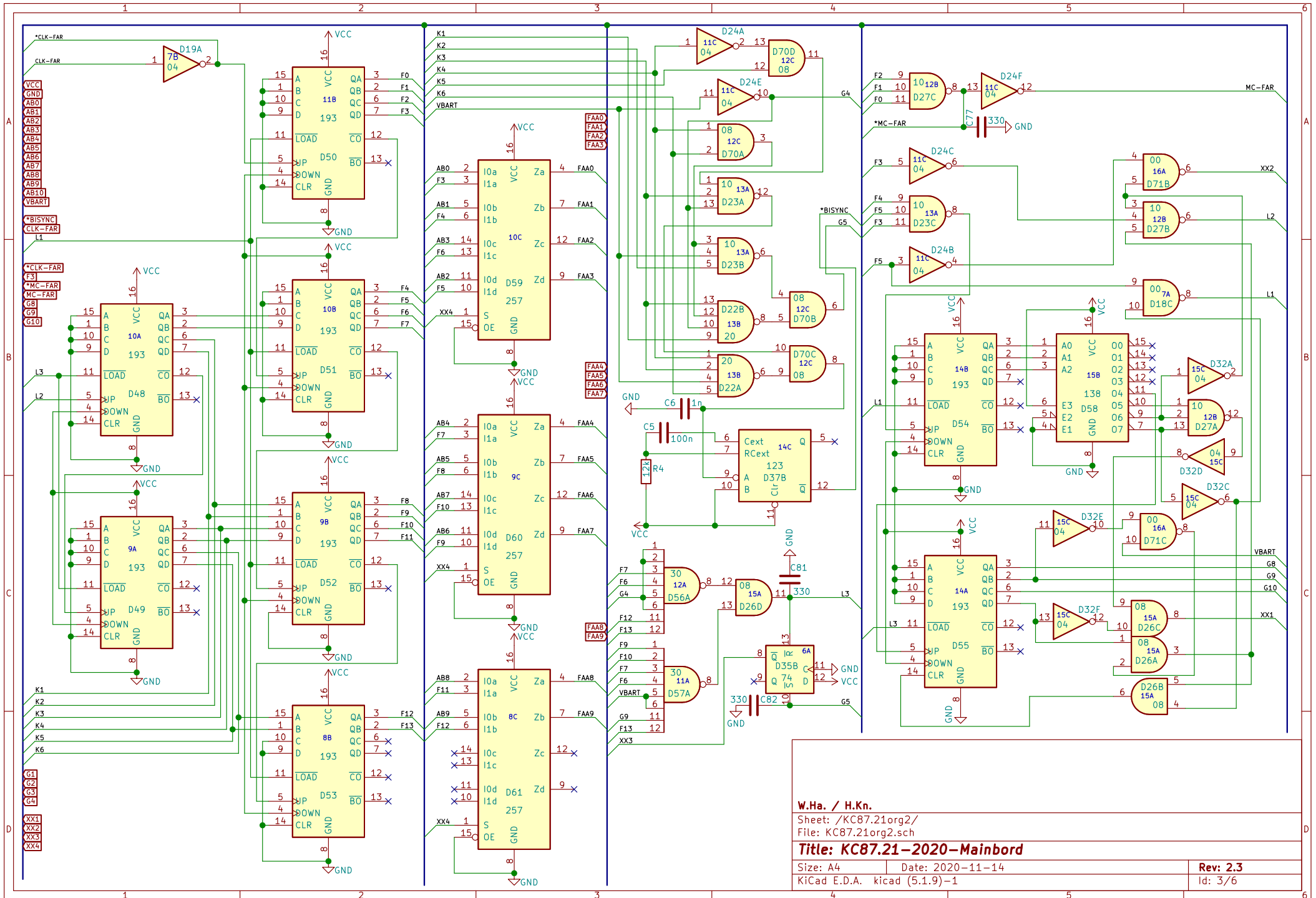
KiCad E.D.A. kicad (5.1.9)-1

Rev: 2.3

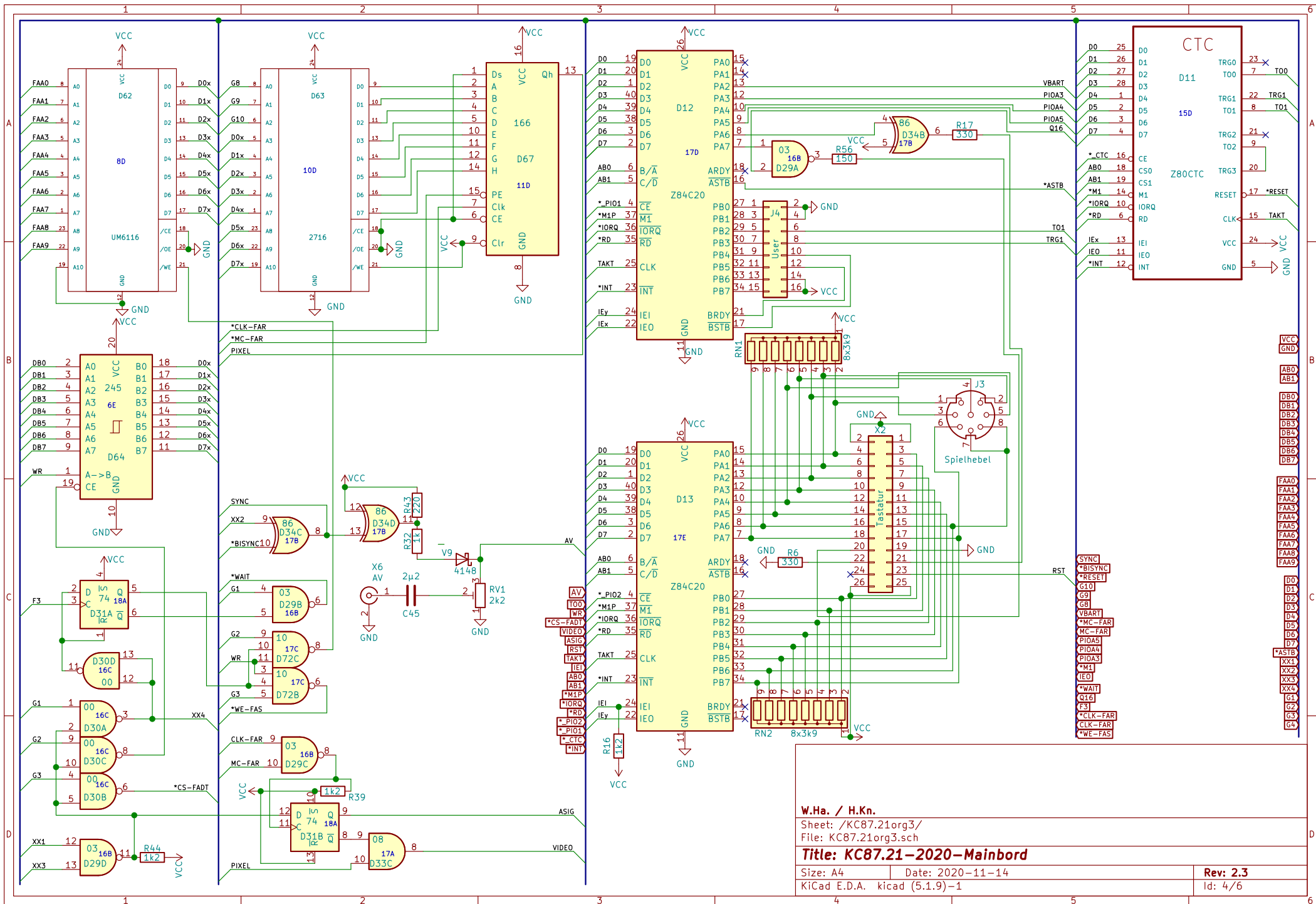
Id: 1/6



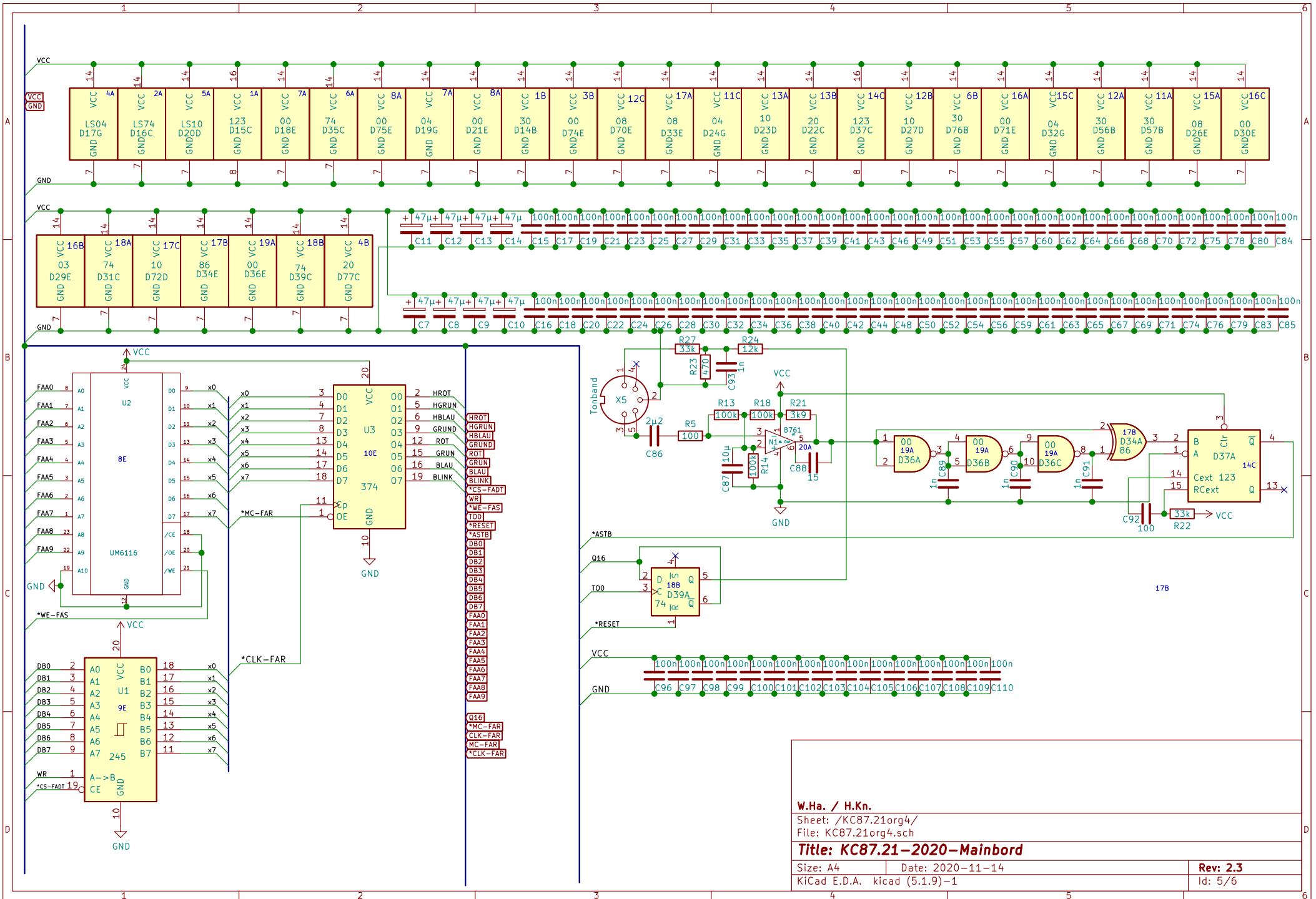
W.Ha. / H.Kn. Sheet: /KC87.21org1/ File: KC87.21org1.sch	
Title: KC87.21-2020-Mainbord	
Size: A4	Date: 2020-11-14
KiCad E.D.A. kicad (5.1.9)-1	Rev: 2.3 Id: 2/6



W.Ha. / H.Kn.	
Sheet: /KC87.21org2/ File: KC87.21org2.sch	
Title: KC87.21-2020-Mainbord	
Size: A4	Date: 2020-11-14
KiCad E.D.A. kicad (5.1.9)-1	Rev: 2.3 Id: 3/6



W.Ha. / H.Kn.
 Sheet: /KC87.21org3/
 File: KC87.21org3.sch
Title: KC87.21-2020-Mainbord
 Size: A4 | Date: 2020-11-14
 KiCad E.D.A. kicad (5.1.9)-1 | Rev: 2.3
 Id: 4/6



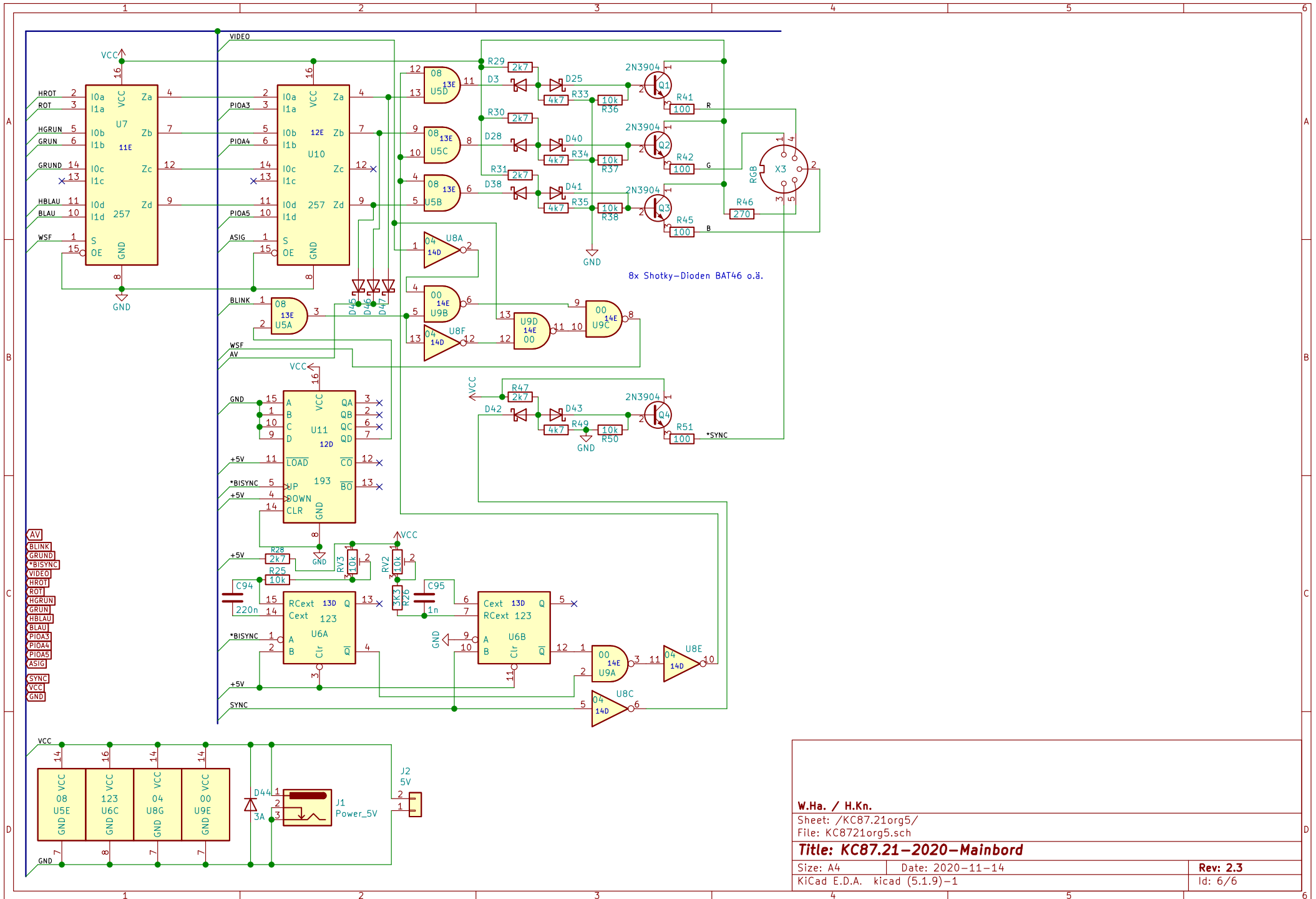
W.Ha. / H.Kn.

Sheet: /KC87.21org4/
File: KC87.21org4.sch

Title: KC87.21-2020-Mainbord

Size: A4 Date: 2020-11-14
KiCad E.D.A. kicad (5.1.9)-1

Rev: 2.3
Id: 5/6



W.Ha. / H.Kn.	
Sheet: /KC87.21org5/ File: KC8721org5.sch	
Title: KC87.21-2020-Mainbord	
Size: A4	Date: 2020-11-14
KiCad E.D.A. kicad (5.1.9)-1	Rev: 2.3
	Id: 6/6